

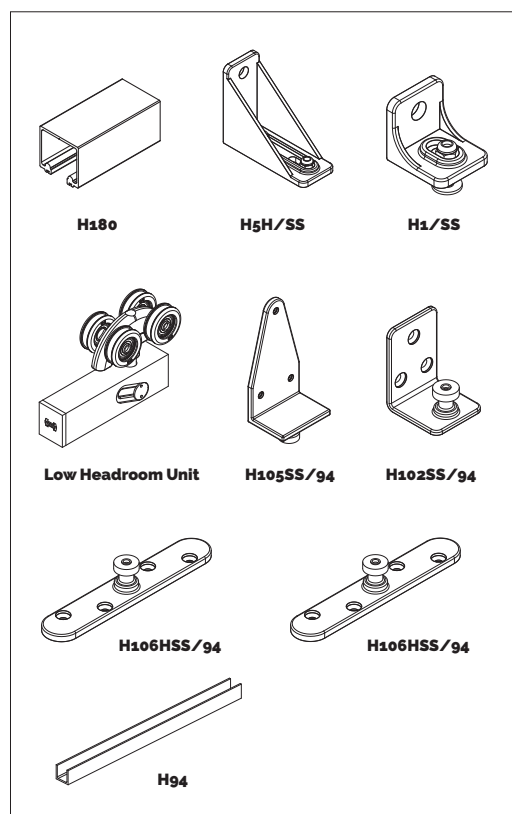
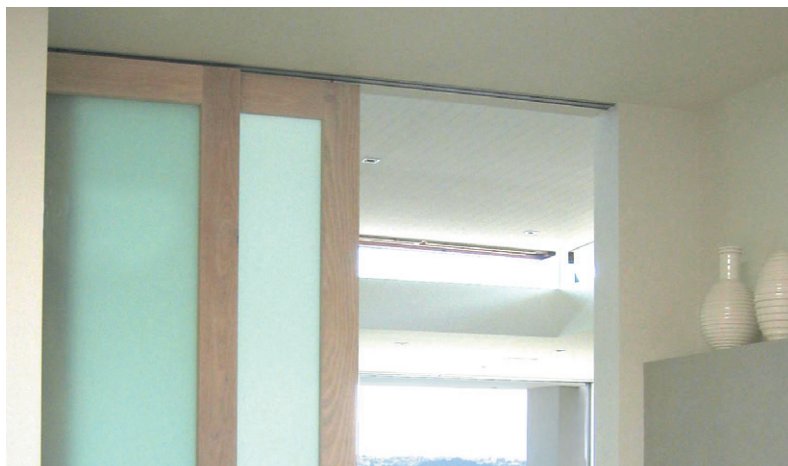
# SOLTAIRE LOW HEADROOM 180

HENDERSON

**For timber top hung sliding doors.  
Max 180kg.**

**APPLICATION**

- Designed to create a modern minimalist finish with all parts concealed
- Can reduce the clearance between the track and the top of the door to 2mm
- Vertically adjustable sliding door kit for low or restricted headroom applications
- Used to maximise door height
- Engineered for easy installation and adjustment
- Designed to accommodate single or multiple panels on one or more tracks



HARDWARE SPECIFICATION		
<b>Track</b>	H180A	Anodised Aluminium (2000, 3000, 4000 & 6000mm lengths) Soffit fix spacing 900mm centres (maximum)
<b>Brackets</b>	H1/SS	Face fixed stainless steel
	H5H/SS	Double face fixed stainless steel (heavy) Starting 20mm from each end of track fix at 900mm centres (max.)
<b>Guides</b>	H102SS/94	Timber doors - wall mounted and multiple run guide
	H105SS/94	Timber doors - face mounted guide
	H106HSS/94	Timber doors - concealed fixing with SS bearing
<b>Channels</b>	H94X	Aluminium (2000, 3000, 4000 & 6000mm lengths)
	H94P	Polypropylene (2000, 3000, 4000 & 6000mm lengths)
	H94PSC	Aluminium supporting channel and polypropylene (2000, 3000, 4000 & 6000mm lengths)
<b>Accessories</b>		
<b>Interlocking Seal</b>	H59BZ/4800	Bronze anodised (4800mm to suit typical 2400mm door height)
	H59CA/4800	Clear anodised aluminium (4800mm to suit typical 2400mm door height) Drilled and countersunk. Includes brush seal.

DOOR SPECIFICATION	
<b>Track System</b>	<b>Low headroom 180</b>
For Individual Doors:	
Max Door Weight	180kg
Max Door Width	3300mm
Door Thickness	35-48mm*
Max Door Height	2700mm
*Max door thickness only applies to some face fix bracket options.	

STANDARD SETS AND PACK	
Pack comprises of 2x Low Headroom units, 2x end caps, 2x track stops, all screws and fitting instructions.	
<b>Pack No.</b>	<b>Application</b>
HLH180	1 door pack

# SOLTAIRE LOW HEADROOM 180

**DRAWING IS  
NOT TO SCALE**

